

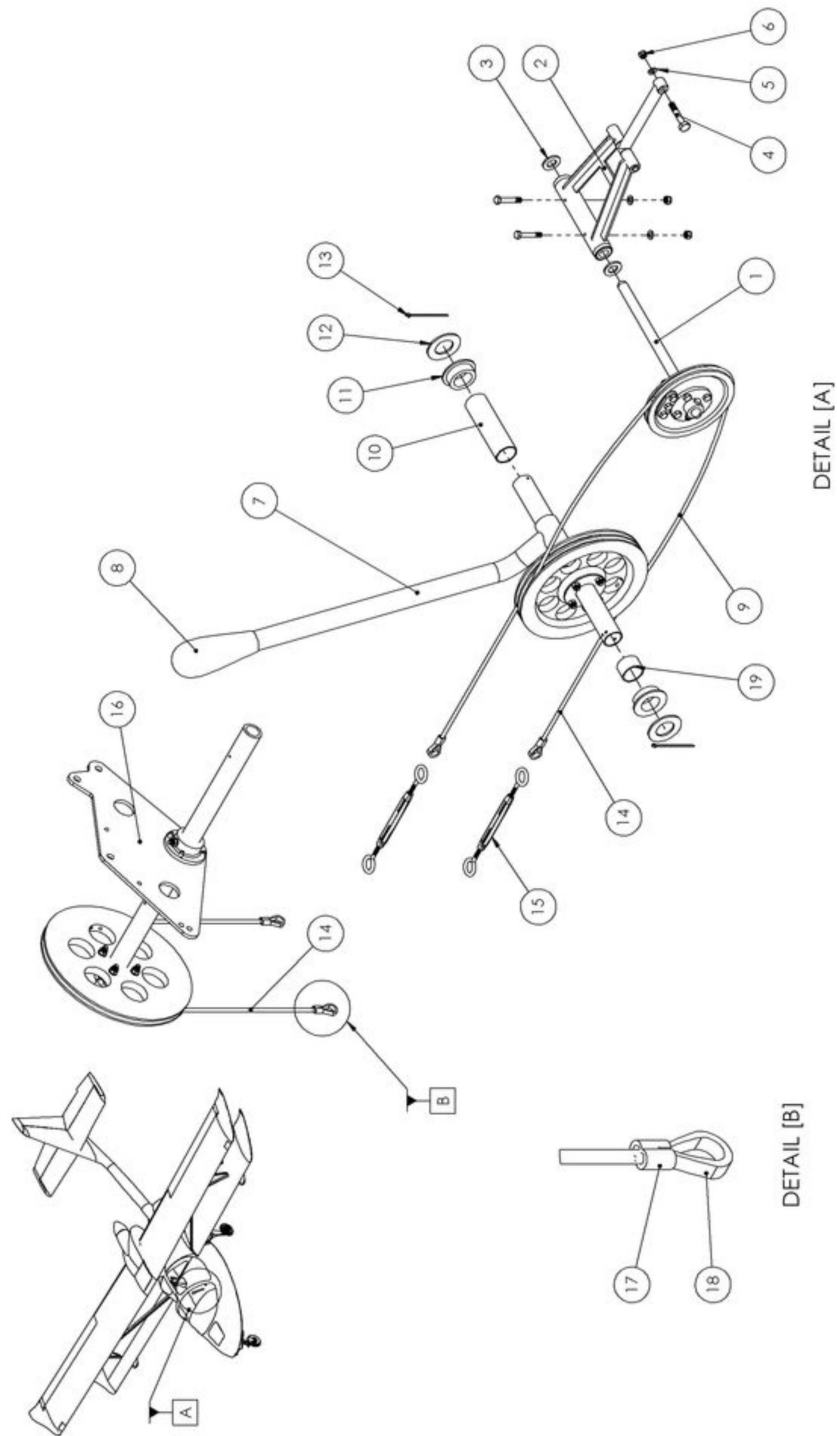
ASSEMBLY-07LS - LANDING GEAR RETRACTION SYSTEM

FIGURE Nº Nº FIGURA	PART NUMBER CÓDIGO PEÇA	NOMENCLATURE / DESCRIPTION NOMENCLATURA / DESCRIÇÃO	QUANTITY PER SET QTDE. POR CONJUNTO	MEASURE UNIT UNID. DE MEDIDA
01	SE-324.037-1	NOSE GEAR PULLEY	1	PC
02	PE-324.022	NOSE GEAR RETRACTION TRIANGLE	1	PC
03	SE-312.001-1	WASHER	8	PC
04	SE-324.055	BOLT	1	PC
05	DIN 125 A2 M6	FLAT WASHER	3	PC
06	DIN 985 A2 M6	LOCK NUT	11	PC
07	DIN 94 A2 2,5X50	COTTER PIN 2.5X50	2	PC
08	SE-322.009	WEDGE	2	PC
09	SE-322.003	BUSHING	2	PC
10	SE-322.007-1	SPACER	1	PC
11	SE-322.001	LANDING GEAR LEVER + PULLEY	1	PC
12	SE-322.015	GRIP	1	PC
13	SE-322.008-1	SPACER	1	PC
14	DIN 931 A2 M6X60	BOLT	3	PC
15	PE-323.029	REINFORCEMENT	1	PC
16	PI-232.019	BEARING PLASTIC MOUNTED	1	PC
17	DIN 9021 A2 M6	FENDER WASHER	12	PC
18	DIN 94 A2 2,5X25	COTTER PIN 2.5X25	10	PC
19	PE-323.026	WEDGE	2	PC
20	SE-323.124	GUIDE	1	PC
21	DIN 9021 A2 M5	FENDER WASHER	7	PC
22	DIN 985 A2 M5	LOCK NUT	4	PC
23	SE-323.004	MAIN GEAR CABLE	4	PC
24	SE-324.004	NOSE GEAR CABLE	2	PC
25	PN-718.006	NICOPRESS SLEEVE 3/32"	4	PC
26	PN-718.008	CABLE THIMBLE 3/32", 1/8"	4	PC
27	PI-324.041	TURNBUCKLE	2	PC
28	SE-323.027-1	MAIN RETRACTION AXLE	1	PC
29	SE-323.050	GAS SPRING	1	PC
30	SE-323.069	BOLT	1	PC
31	SE-323.068	BUSHING	1	PC
32	DIN 125 A2 M8	FLAT WASHER	6	PC
33	DIN 985 A2 M8	LOCK NUT	3	PC
34	PE-323.070	BOLT	1	PC
35	PE-323.044	STUD BOLT	1	PC
36	DIN 934 A2 M8	NUT	1	PC
37	SE-323.005	FLAT ROD	2	PC
38	DIN 931 A2 M6X50	BOLT	1	PC
39	SE-323.006	MAIN GEAR ROD	2	PC

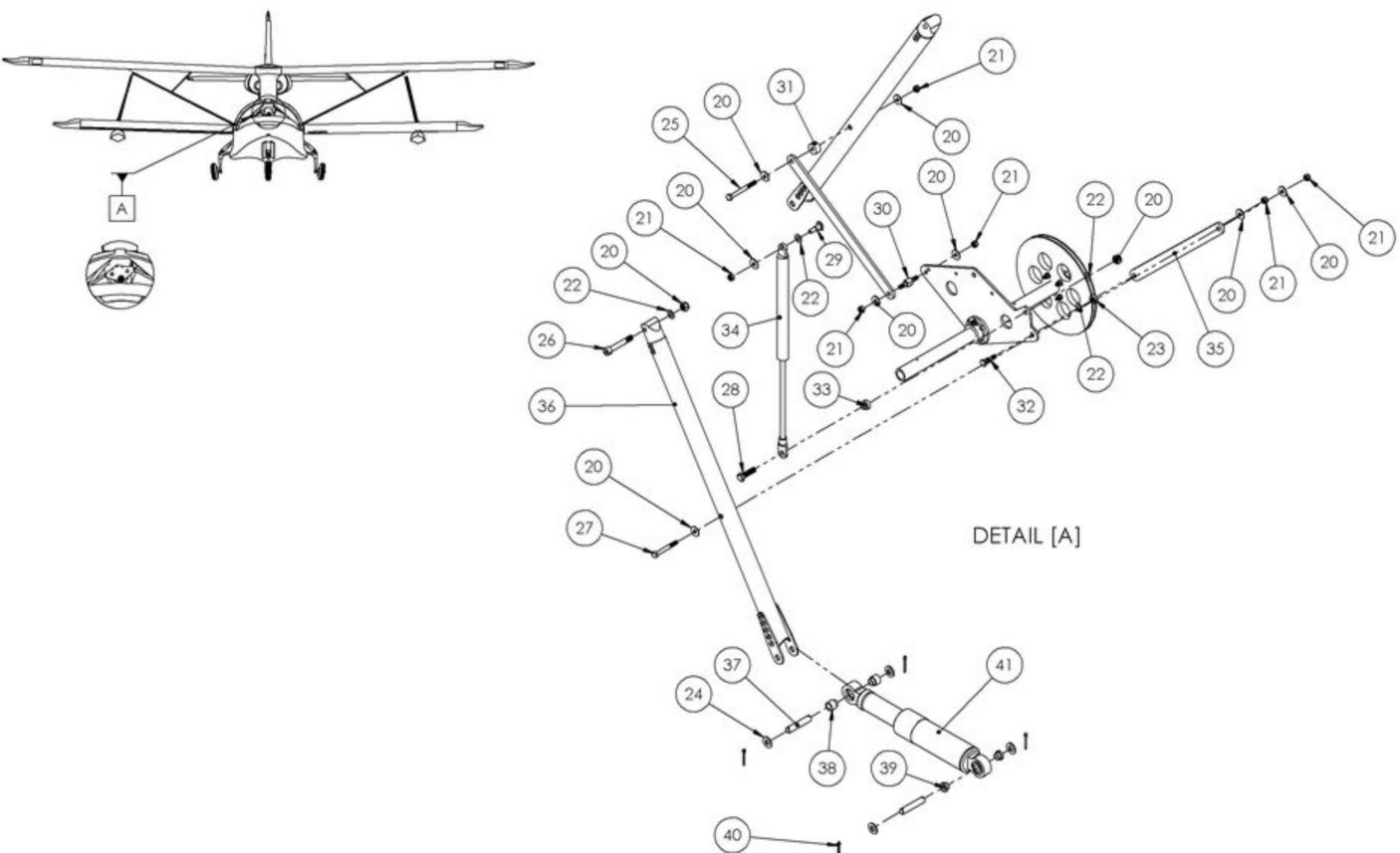
ASSEMBLY-07LS - LANDING GEAR RETRACTION SYSTEM

FIGURE N° N° FIGURA	PART NUMBER CÓDIGO PEÇA	NOMENCLATURE / DESCRIPTION NOMENCLATURA / DESCRIÇÃO	QUANTITY PER SET QTDE. POR CONJUNTO	MEASURE UNIT UNID. DE MEDIDA
40	SE-323.007	BOLT	2	PC
41	PE-323.046	STUD BOLT	1	PC
42	SE-323.070	WEDGE	1	PC
43	SE-323.120	CALIBRATED SHOCK ABSORBER	2	PC
44	SE-323.010	PIN	2	PC
45	DIN 125 A2 M10	FLAT WASHER	8	PC
46	SE-323.122	BUSHING	4	PC
47	SE-323.121	BUSHING	4	PC
48	SE-311.003	PIN	2	PC
49	PN-704.011	LOCK PIN	2	PC
50	SE-323.009	PIN	2	PC
51	SE-322.022	BUSHING	2	PC

ASSEMBLY-07LS - LANDING GEAR RETRACTION SYSTEM



ASSEMBLY-07LS - LANDING GEAR RETRACTION SYSTEM



Alpha Numeric Parts List Lista de Peças Alfanumérico

PART NUMBER CÓDIGO PEÇA	ASSEMBLY CONJUNTO	PAGE Nº Nº PÁGINA	FIGURE Nº Nº FIGURA
DIN 125 A2 M10	ASSEMBLY-07LS	2	45
DIN 125 A2 M6	ASSEMBLY-07LS	1	05
DIN 125 A2 M8	ASSEMBLY-07LS	1	32
DIN 9021 A2 M5	ASSEMBLY-07LS	1	21
DIN 9021 A2 M6	ASSEMBLY-07LS	1	17
DIN 931 A2 M6X50	ASSEMBLY-07LS	1	38
DIN 931 A2 M6X60	ASSEMBLY-07LS	1	14
DIN 934 A2 M8	ASSEMBLY-07LS	1	36
DIN 94 A2 2,5X25	ASSEMBLY-07LS	1	18
DIN 94 A2 2,5X50	ASSEMBLY-07LS	1	07
DIN 985 A2 M5	ASSEMBLY-07LS	1	22
DIN 985 A2 M6	ASSEMBLY-07LS	1	06
DIN 985 A2 M8	ASSEMBLY-07LS	1	33
PE-323.026	ASSEMBLY-07LS	1	19
PE-323.029	ASSEMBLY-07LS	1	15
PE-323.044	ASSEMBLY-07LS	1	35
PE-323.046	ASSEMBLY-07LS	2	41
PE-323.070	ASSEMBLY-07LS	1	34
PE-324.022	ASSEMBLY-07LS	1	02
PI-232.019	ASSEMBLY-07LS	1	16
PI-324.041	ASSEMBLY-07LS	1	27
PN-704.011	ASSEMBLY-07LS	2	49
PN-718.006	ASSEMBLY-07LS	1	25
PN-718.008	ASSEMBLY-07LS	1	26
SE-311.003	ASSEMBLY-07LS	2	48
SE-312.001-1	ASSEMBLY-07LS	1	03
SE-322.001	ASSEMBLY-07LS	1	11
SE-322.003	ASSEMBLY-07LS	1	09
SE-322.007-1	ASSEMBLY-07LS	1	10
SE-322.008-1	ASSEMBLY-07LS	1	13
SE-322.009	ASSEMBLY-07LS	1	08
SE-322.015	ASSEMBLY-07LS	1	12
SE-322.022	ASSEMBLY-07LS	2	51
SE-323.004	ASSEMBLY-07LS	1	23
SE-323.005	ASSEMBLY-07LS	1	37
SE-323.006	ASSEMBLY-07LS	1	39
SE-323.007	ASSEMBLY-07LS	2	40
SE-323.009	ASSEMBLY-07LS	2	50
SE-323.010	ASSEMBLY-07LS	2	44
SE-323.027-1	ASSEMBLY-07LS	1	28
SE-323.050	ASSEMBLY-07LS	1	29
SE-323.068	ASSEMBLY-07LS	1	31
SE-323.069	ASSEMBLY-07LS	1	30
SE-323.070	ASSEMBLY-07LS	2	42
SE-323.120	ASSEMBLY-07LS	2	43
SE-323.121	ASSEMBLY-07LS	2	47
SE-323.122	ASSEMBLY-07LS	2	46

PART NUMBER CÓDIGO PEÇA	ASSEMBLY CONJUNTO	PAGE N° N° PÁGINA	FIGURE N° N° FIGURA
SE-323.124	ASSEMBLY-07LS	1	20
SE-324.004	ASSEMBLY-07LS	1	24
SE-324.037-1	ASSEMBLY-07LS	1	01
SE-324.055	ASSEMBLY-07LS	1	04